

# PPC

## PPC-1208F

Industrial 7" Widescreen  
ARM-Based Panel PC with  
Freescale™ i.MX515 800MHz  
Processor

### Features and Benefits:

- Low power ARM based HMI
- Fanless design for rugged environment and quiet application
- Greater viewing 16:9 screen ratio
- Supports Micro-SD slot for extra storage
- Front panel IP65 certificate
- OS supports for Microsoft Windows CE 6.0
- WDT watchdog function for the system status monitor
- Support wide-range 9~36V DC-in



### Protech Systems Co., Ltd.

No. 24, Lane 365, Yang Goang Street, Nei Hu District Taipei 114, Taiwan  
TEL: +886-2-8751-1111 FAX: +886-2-8751-1199  
E-mail: sales@protech.com.tw  
<http://www.protech.com.tw>

### Protech Technologies Inc.

950 Fee Ana St, Suite B Placentia, CA 92870  
TEL: +1-714- 996-7200 FAX: +1-714- 996-7300  
Sales: sales@protech-usa.net  
<http://www.protech-usa.net>

### Protech Japan Co., Ltd.

OSK Bldg. 6F, 6-25-14, Minami-ohi Shinagawa-ku, Tokyo, 140-0013  
TEL: +81-3-5753-8411 FAX: +81-3-3763-9282  
E-mail: sam@protech-j.com  
<http://www.protech-j.com>

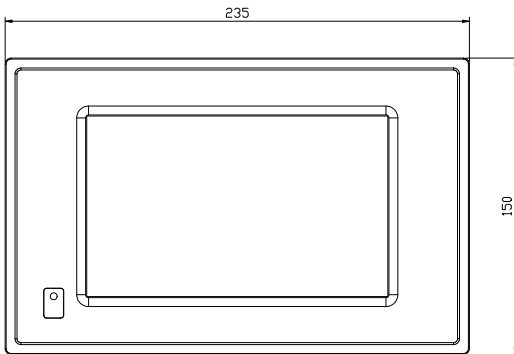


ISO CERTIFIED  
9001 14001

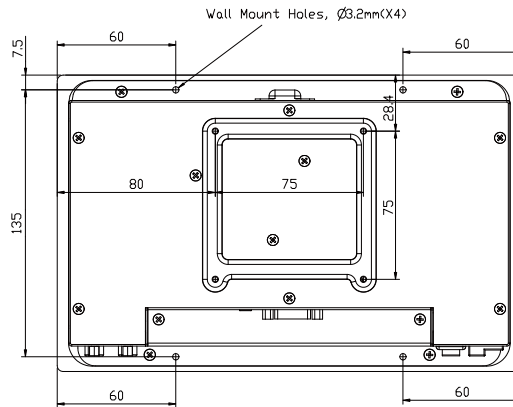
# PPC-1208F

Industrial 7" Widescreen ARM-Based Panel PC  
with Freescale™ i.MX515 800MHz Processor

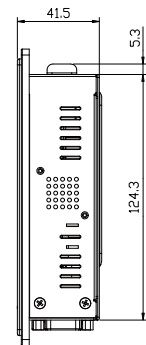
### Front View



### Rear View



### Side View



Unit: mm

## Specification

### Systems

CPU Type	Freescale™ ARM Cortex A8™ i.MX515 800MHz
PMIC	Freescale™ MC13892JVK
Memory	Up to 512MB DDRII SDRAM on board
Flash	e-NAND 4GB
Front Panel Protection	IP65 compliant
Power Requirement	DC in 12V (optional : ATX wide-range 9~36V DC-in)
Construction	Aluminum front bezel/ Rugged metal housing
Mounting	Wall, and ARM (VESA 75 x 75)
O.S. Support	Windows CE 6.0
Dimension	235 x 150 x 41.5 mm (9.25" x 5.9" x 1.6")
System Weight	2.0kg (4.54lb)
Certificate	FCC / CE
WDT	Built-in Freescale i.MX515 MPU

### I/O Ports

LAN	1 x 10/100Mbps LAN
USB	2 x USB 2.0
Serial Port	2 x COM ports (COM 1 for RS232, COM 2 for RS485)
Audio	1 x Line out / 1 Internal Speaker (optional)
Speaker	1 x 2 W internal speakers (optional)

Digital I/O	3 in/ 3 out
Expansion Slots	1 x Micro-SD slot

### Display

LCD Size	7"
Brightness (cd/m <sup>2</sup> )	300 cd/m <sup>2</sup>
Backlight MTBF	50,000 hrs
Touchscreen	Resistive Type 4-wire
Backlight	LED

### Environment

Operation Temp.	0° ~ 60° C ( 32° ~ 140° F )
Storage Temp.	-20° ~ 80° C ( -4°~176° F )
Humidity	20% ~ 90%

### Ordering Information

SP-6007RA-F0B	HSF, ARM Freescale Cortex A8 + 7" fanless PPC
---------------	---

All of trademarks and brand names are the property of their owners. Trademark "Protech" is the property of Protech Systems Co., Ltd. All information contained in this document is subject to change without any prior notice. This catalog is copyrighted in May 2012.