

# PPC

**SP-7629/  
SP-7627/  
SP-7625**

**High Performance Intel®  
3rd Gen. Core™ i5/i3 and  
Pentium® Processor 19"/  
17"/ 15" Panel PC**

**Features and Benefits:**

- LGA1155 Intel® 3rd Gen. Core™ i5/i3 and Pentium® Processor
- Equipped with Intel® Q77 Chipset
- Memory support Two DDR3 DIMM sockets 1333/1600 up to 16 GB
- Support Dual Gigabit LAN & USB 3.0
- Support SATA RAID 0, 1, 5, 10
- Front Panel IP65 & NEMA 4X Design
- Stainless steel front bezel
- Optional 2 x PCI slot riser card



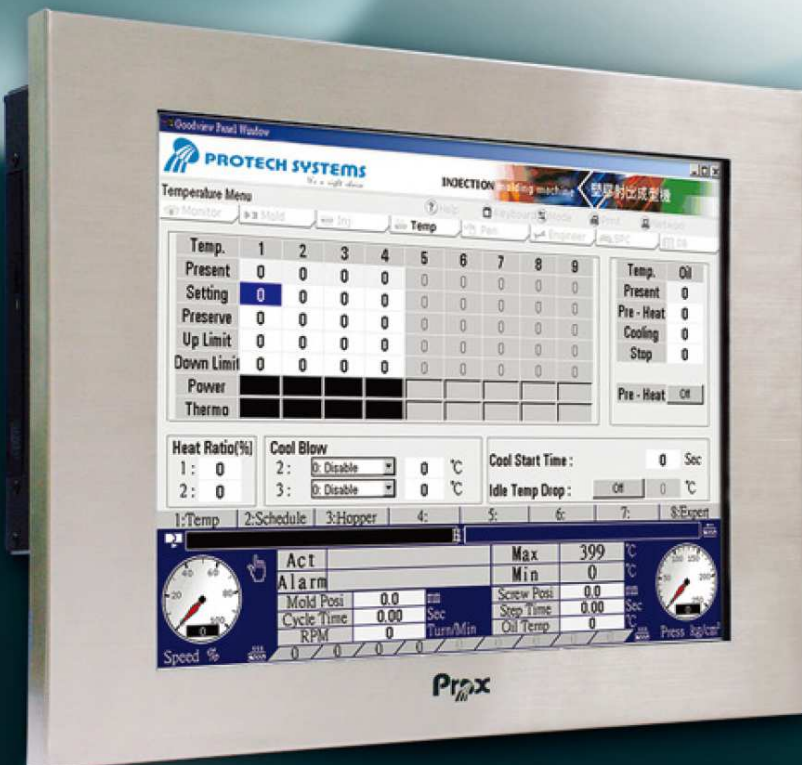
**Protech Systems Co., Ltd.**

No. 24, Lane 365, Yang Goang Street, Nei Hu District Taipei 114, Taiwan  
TEL: +886-2-8751-1111 FAX: +886-2-8751-1199  
E-mail: sales@protech.com.tw  
http://www.protech.com.tw

**Distributed by:**



KeyProLine Eurl  
Le Causse De Dumié – 82300 Saint Cirq  
Tel : (+33) 09-62-55-62-88 - Fax : (+33) 05-63-03-54-41  
Site internet : [www.keyproline.com](http://www.keyproline.com)  
@mail : keyproline@keyproline.com

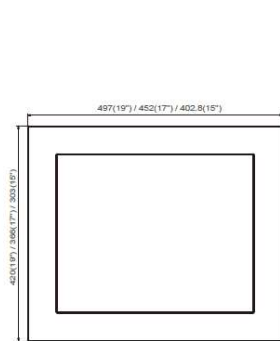


**ISO CERTIFIED  
9001 14001**

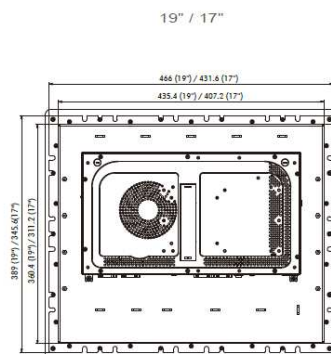
# SP-7629 / SP-7627 / SP-7625

High Performance Intel® 3rd Gen. Core™ i5/i3 and Pentium® Processor  
19"/ 17"/ 15" Panel PC

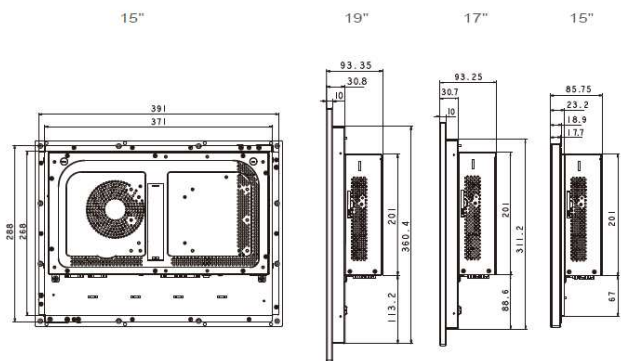
Front View



Rear View



Side View



Unit: mm

## Specification

### Systems

|                              |  |
|------------------------------|--|
| <b>CPU Type</b>              | Intel® 3rd Gen. Core™ i5/i3 and Pentium® processor   |
| <b>Chipset</b>               | Intel® PCH Q77   |
| <b>Memory Support</b>        | 2x 240-pin DDR3 DIMM   |
| <b>Front Bezel</b>           | Stainless steel (SUS 304)  |
| <b>IP65</b>                  | Yes (for front panel only)   |
| <b>Watchdog</b>              | 1~255 secs Watchdog timer selectable   |
| <b>Power Supply</b>          | ATX 220W power supply  |
| <b>O.S. Support</b>          | Windows 7  |
| <b>Dimension</b>             | SP-7629: 497 x 420 x 93.4 mm<br>SP-7627: 452 x 366 x 93.3 mm<br>SP-7625: 402.8 x 303 x 85.8 mm |
| <b>System Weight</b>         | SP-7629: 10.6kg<br>SP-7627: 9kg<br>SP-7625: 7.5kg  |
| <b>VESA Mounting Support</b> | 75 mm / 100 mm VESA bracket (optional)   |
| <b>Certificate</b>           | FCC / CE   |

### I/O Ports

|                         |   |
|-------------------------|---|
| <b>USB</b>              | 4 x USB 3.0   |
| <b>Keyboard / Mouse</b> | 2 x PS/2 port   |
| <b>Audio</b>            | 1 x Line-in / Line-out / MIC in   |
| <b>Parallel Port</b>    | 1 x Parallel port (SPP / EPP / ECP)   |
| <b>Serial Port</b>      | 4 x COM port (COM 1/3/4 for RS232, COM 2 for RS232 / 422 / 485, COM 3/4 support +5V, +12V selectable) |
| <b>Digital I/O</b>      | 4-in / 4-out  |
| <b>LAN</b>              | 2 x LAN (10/100/1000 Mbps)  |
| <b>VGA</b>              | 1 x VGA   |
| <b>Drive Bay</b>        | 2 x 2.5" SATA HDD, 1 x slim CD-ROM (optional)   |
| <b>Expansion Slots</b>  | 2 x PCI slot (optional), 1 x mini PCIe slot   |

## Display

|                     |  |
|---------------------|--|
| <b>LCD</b>          | 19" LED backlight 300 nit LCD, resolution 1280 x 1024<br>17" LED backlight 350 nit LCD, resolution 1280 x 1024<br>15" LED backlight 400 nit LCD, resolution 1024 x 768 |
| <b>Touch Screen</b> | (ELO) 5W Analog resistive (USB interface)  |

## Environment

|                        |                             |
|------------------------|-----------------------------|
| <b>Operation Temp.</b> | 0° ~ 50°C (32° ~ 122°F)     |
| <b>Storage Temp.</b>   | - 20° ~ 80°C (- 4° ~ 176°F) |
| <b>Humidity</b>        | 20% ~ 90%                   |

## Ordering Information

|                      |  |
|----------------------|--|
| <b>SP-7629RA-A0B</b> | HSF, Intel® Socket H2 (LGA1155)+Q77 Panel PC, w/19" Panel 1280*1024 / 5-Wire ELO Touch       |
| <b>SP-7629RA-B0B</b> | HSF, Intel® Socket H2 (LGA1155)+Q77 Panel PC, w/19" Panel 1280*1024 / Tempered Glass         |
| <b>SP-7627RA-A0B</b> | HSF, Intel® Socket H2 (LGA1155)+Q77 Panel PC, w/17" Panel 1280*1024 / 5-Wire ELO Touch       |
| <b>SP-7627RA-B0B</b> | HSF, Intel® Socket H2 (LGA1155)+Q77 Panel PC, w/17" Panel 1280*1024 / Tempered Glass         |
| <b>SP-7625RA-A0B</b> | HSF, Intel® Socket H2 (LGA1155)+Q77 Panel PC, w/ 15" Panel 1024*768 / 5-Wire ELO Touch       |
| <b>SP-7625RA-B0B</b> | HSF, Intel® Socket H2 (LGA1155)+Q77 Panel PC, w/ 15" Panel 1024*768 / Tempered Glass         |
| <b>SP-7615RZ-CR0</b> | HSF, Only slim DVD bracket kit for SP-76xx and SP-79xx series                                |
| <b>SP-7615RZ-DR2</b> | HSF, Slim DVD and bracket kit for SP-76xx and SP-79xx series                                 |
| <b>SP-7615RZ-RC1</b> | HSF, 2 PCI slot riser card and bracket kits (w/o package) for SP-76xx and SP-79xx series     |
| <b>SP-7615RZ-RC2</b> | HSF, 2 PCI slot riser card and bracket kits (w/ package) for SP-76xx and SP-79xx series      |
| <b>SP-7615RZ-VM0</b> | HSF, VESA bracket kit (w/ package) for SP-76xx and SP-79xx series                            |
| <b>SP-7615RZ-VM1</b> | HSF, 2 PCI slot riser card and VESA bracket kits (w/ package) for SP-76xx and SP-79xx series |
| <b>SE-8210RZ-WL2</b> | HSF, SE-8210 wireless LAN kit (One Antenna)  |

All of trademarks and brand names are the property of their owners. Trademark "Protech" is the property of Protech Systems Co., Ltd. All information contained in this document is subject to change without any prior notice. This catalog is copyrighted in March 2014.